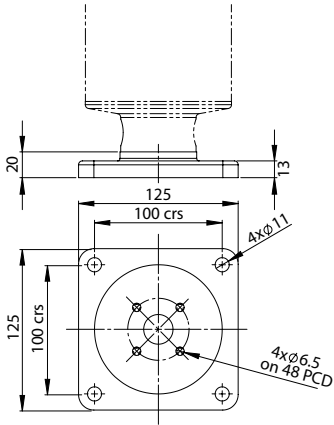


MAST MOUNTING ACCESSORIES

The mast mounting possibilities for the YT Series includes internal or external vehicle mounting, wall or shelter mounting and also field mounting.

Illustrated below are the basic accessories for mounting YT Masts in any of the above roles.

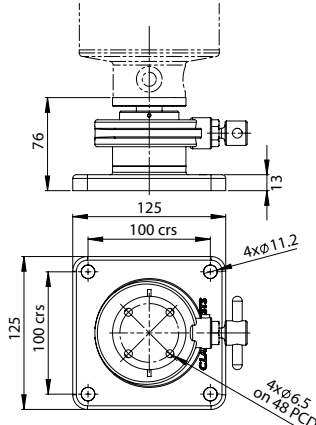


FIXED BASE

Cat. No. 14237

For use where the mast is not required to be rotatable or where omni-directional antennas are to be used.

Weight: 0.41 kg.

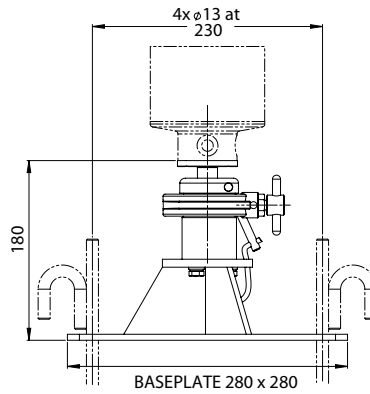


ROTATABLE BASE

Cat. No. 14238

For use where full mast rotation is required whether internally or externally vehicle mounted, wall or shelter mounted. Fitted with a clamp brake.

Weight: 1.36 kg.

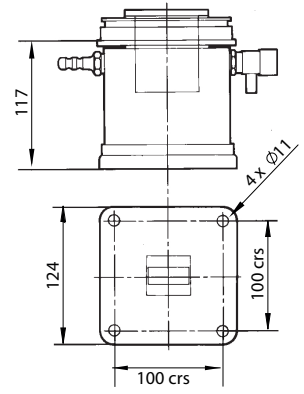


FIELD BASE

Cat. No. 11355

This base plate, which is spiked to the ground, allows the mast to be fitted from the horizontal position and then swung vertical. The mast may be rotated and clamped in any position.

Weight: 6.40 kg.



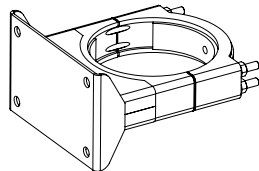
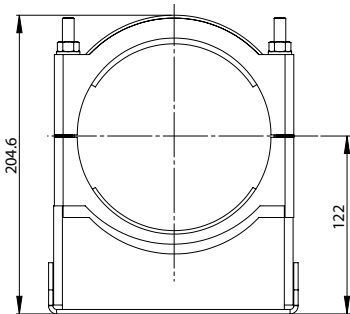
ROTATABLE BASE

(Static Air Entry)

Cat. No. 13916

For vehicle installations. Gives 360° rotation with an anti-rotation stop.

Weight: 3.25 kg.

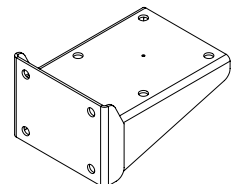
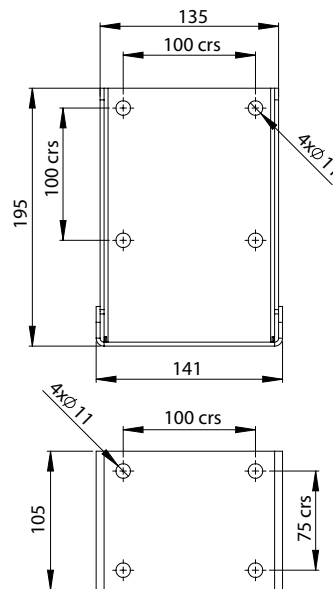
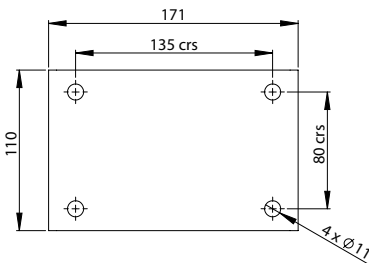


UPPER MOUNTING BRACKET

Cat. No. 19417

When a mast is externally vehicle or shelter mounted this bracket supports the mast at its upper end. The bracket has a PTFE lining. The lower end of the mast should be fitted with a fixed or rotatable base.

Weight: 2.75 kg.

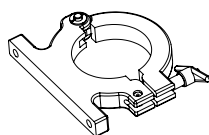
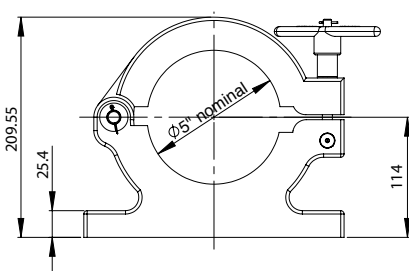


LOWER MOUNTING BRACKET

Cat. No. 14050

Designed to receive either the fixed or rotatable base depending on the mast application.

Weight: 1.61 kg.



5" SADDLE CLAMP

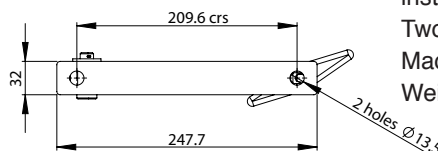
Cat. No. 29110

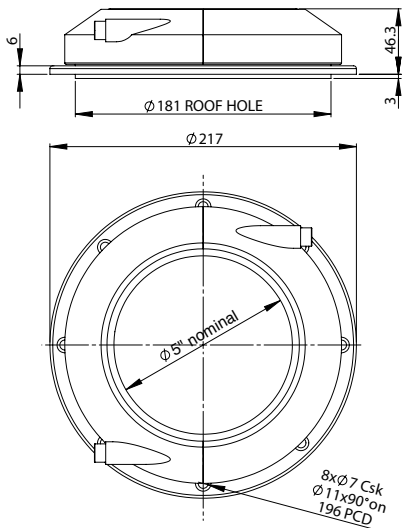
Normally used in pairs, the saddle clamp assembly fits the base section of the mast, supplying a mounting for installations where frequent mast removal is required.

Two fixing holes of 13.5 mm diameter are provided.

Made from light alloy with steel fittings.

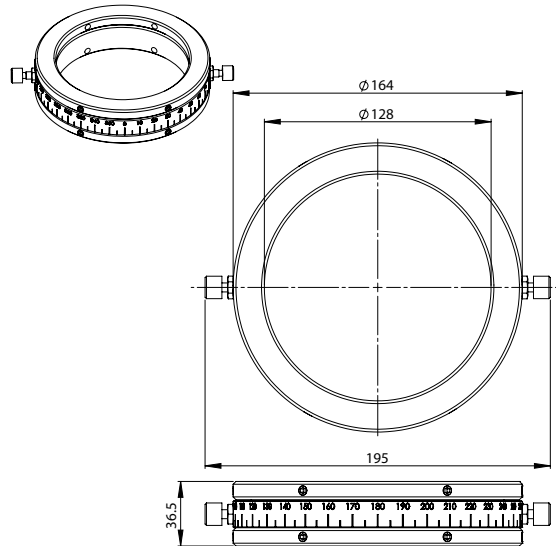
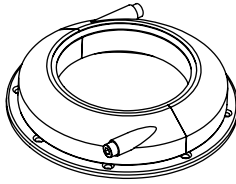
Weight: 2.13 kg.





ROOF BEARING

Cat. No. 14191
Provides a rotatable, weatherproof bearing where the mast passes through the vehicle roof skin. Used to support internally mounted masts whether on fixed or rotatable bases.
Weight: 1.21 kg.

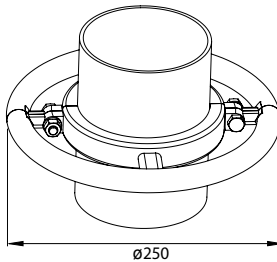


GRADUATED COLLAR Cat. No. 18741

For use with masts requiring directional bearing reference. The rotatable collar is indexed with 5° graduations to 360°. Two clamping screws are provided for locking the ring when correctly orientated.
Made from light alloy with steel screws.
Weight: 0.76 kg.

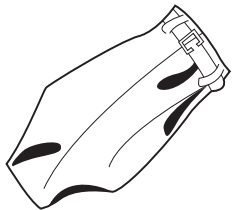
WHEEL HANDLE

Cat. No. 13624
Solid cast aluminium, split for easy attachment to YT Masts.
Outside diameter 250 mm.
Weight: 1.08 kg.



CANVAS COVER

Cat. No. 13631
Provides protection to the mast when retracted and not in use. Made from material which is waterproof and rot-proof with canvas securing strap. Colour: Green or black.
Weight: 0.24 kg.

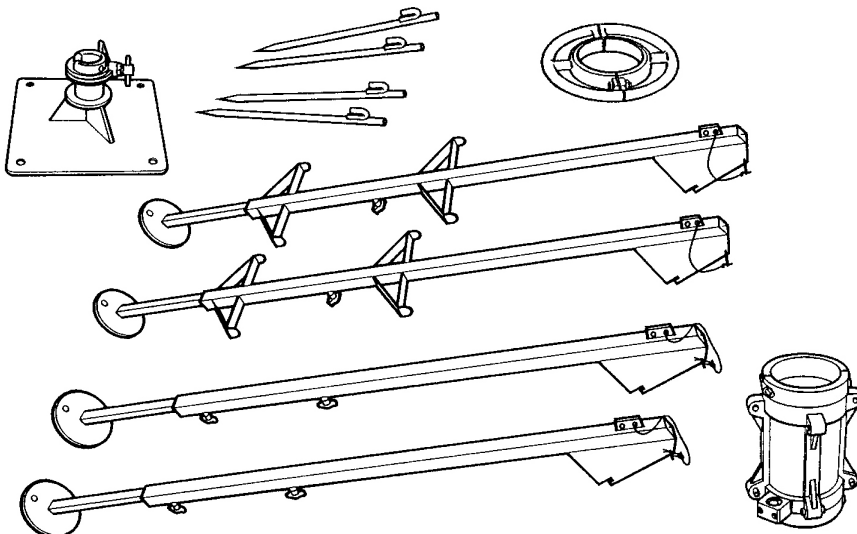


INTERNAL EXTENSION WARNING SWITCH

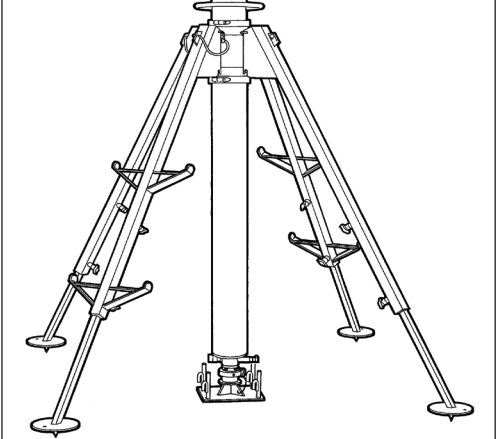
Cat. No. 13752
An internally fitted reed switch which operates (open or closed) when the mast is completely retracted. Factory fitted.
An alternative warning switch is available for use with the Rotatable Static Air Entry Base.
Cat. No. 18511

YT FIELD LEG ASSEMBLY Cat. No. 18506

The assembly consists of four adjustable legs which connect to an alloy collar. Wheel handle, spikes and mast base are included.
Dimensions of the stepped leg in the closed position: 156 cm x 33.5 cm x 18 cm. Weight: 10.70 kg.
Dimensions of the plain leg in the closed position: 156 cm x 15 cm x 18 cm. Weight: 9.20 kg.
Total weight of the YT Field Leg Assembly: 52.55 kg.
An alternative Field Leg Assembly (Cat. No. 13626) is available for the shorter YT60 mast.



DEPLOYED FIELD MAST



CLARK MASTS SYSTEMS LTD, 18-20 Ringwood Road, Binstead, Isle of Wight, PO33 3PA, UK
Tel: +44 (0) 1983 563691/567090 Fax: +44 (0) 1983 566643/811157
E-mail: sales@clarkmasts.com Website: www.clarkmasts.com