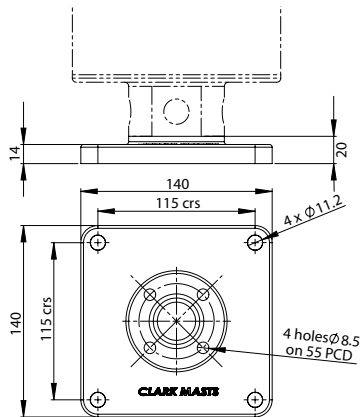


MAST MOUNTING ACCESSORIES

The mast mounting possibilities for the WT Series includes internal or external vehicle mounting, wall or shelter mounting and also field mounting.

Illustrated below are the basic accessories for mounting WT Masts in any of the above roles.

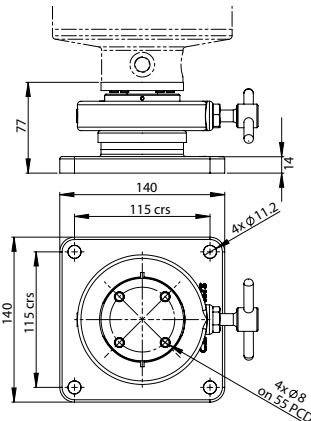


FIXED BASE

Cat. No. 14236

For use where the mast is not required to be rotatable or where omni-directional antennas are to be used. Also suitable where pan and tilt headload mountings have a full remote control facility.

Weight: 0.71 kg.

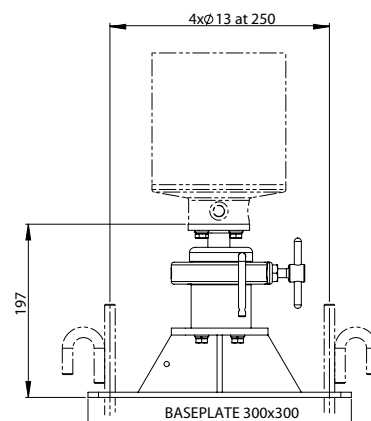


ROTATABLE BASE

Cat. No. 14241

For use where full mast rotation is required whether internally or externally vehicle mounted, wall or shelter mounted. Fitted with a clamp brake.

Weight: 2.26 kg.

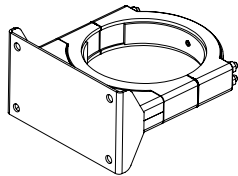
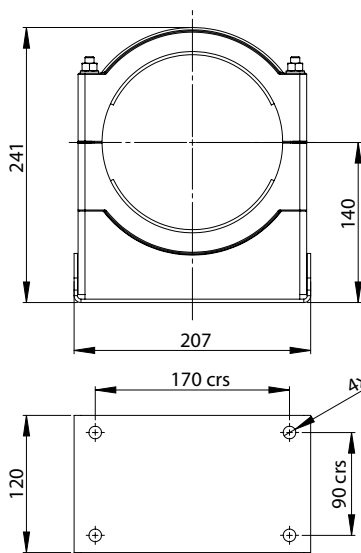


FIELD BASE

Cat. No. 11290

This base plate, which is spiked to the ground, allows the mast to be fitted from the horizontal position and then swung vertical. The mast may be rotated and clamped in any position.

Weight: 5.94 kg.

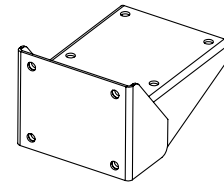
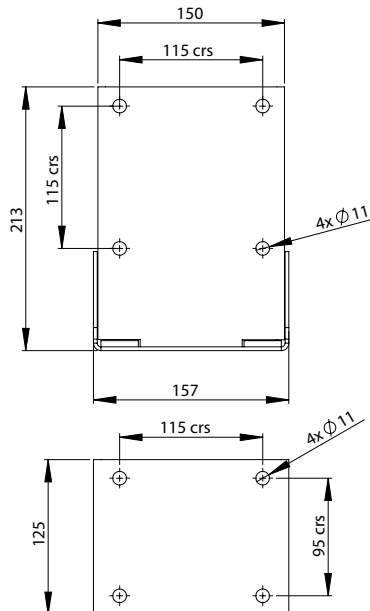


UPPER MOUNTING BRACKET

Cat. No. 14252

When a mast is externally vehicle or shelter mounted this bracket supports the mast at its upper end. The bracket has a PTFE lining. The lower end of the mast should be fitted with a fixed or rotatable base.

Weight: 3.50 kg.

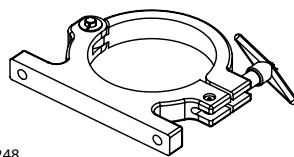
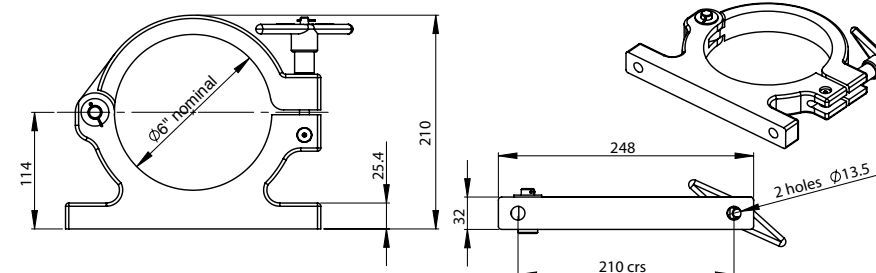


LOWER MOUNTING BRACKET

Cat. No. 14253

Designed to receive either the fixed or rotatable base depending on the mast application.

Weight: 2.60 kg.

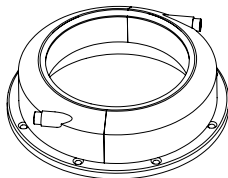
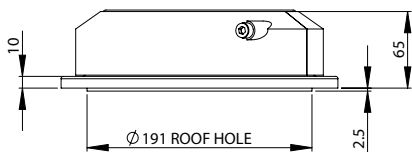


6" SADDLE CLAMP

Cat. No. 1987

Normally used in pairs, the saddle clamp assembly fits the base section of the mast, supplying a mounting for installations where frequent mast removal is required. Two fixing holes of 13.5 mm diameter are provided.

Weight: 1.84 kg.

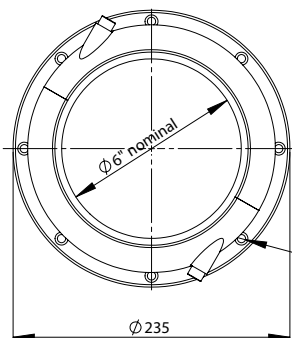


ROOF BEARING

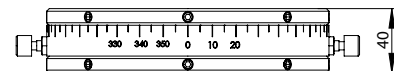
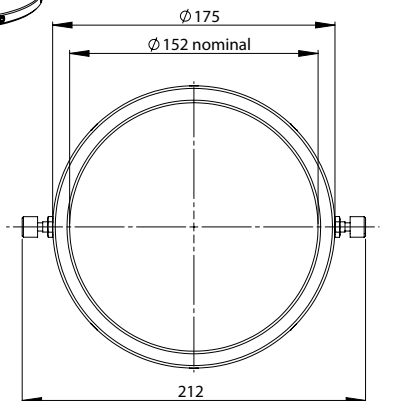
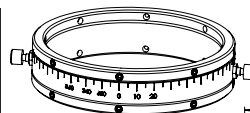
Cat. No. 14265

Provides a rotatable, weatherproof bearing where the mast passes through the vehicle roof skin. Used to support internally mounted masts whether on fixed or rotatable bases.

Weight: 2.23 kg.



8x Ø7 Csk
Ø11x90°
on 216 PCD



GRADUATED COLLAR Cat. No. 12991

For use with masts requiring directional bearing reference. The rotatable collar is indexed with 5° graduations to 360°. Two clamping screws are provided for locking the ring when correctly orientated. Made from light alloy with steel screws. Weight: 0.54 kg.

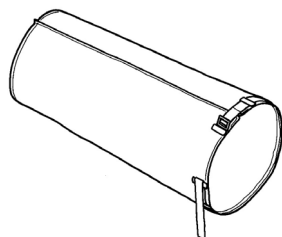
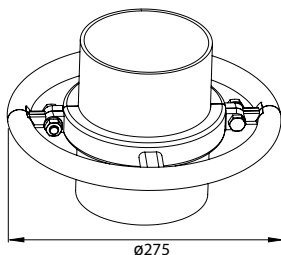
WHEEL HANDLE

Cat. No. 13271

Solid cast aluminium, split for easy attachment to WT Masts.

Outside diameter 275 mm.

Weight: 1.16 kg.



CANVAS COVER

Cat. No. 2434

Provides protection to the mast when retracted and not in use. Made from material which is waterproof and rot-proof with canvas securing strap.

Colour: Black or green.

Weight: 0.22 kg.

INTERNAL EXTENSION WARNING SWITCH

Cat. No. 13753

An internally fitted reed switch which operates (open or closed) when the mast is completely retracted. Factory fitted.

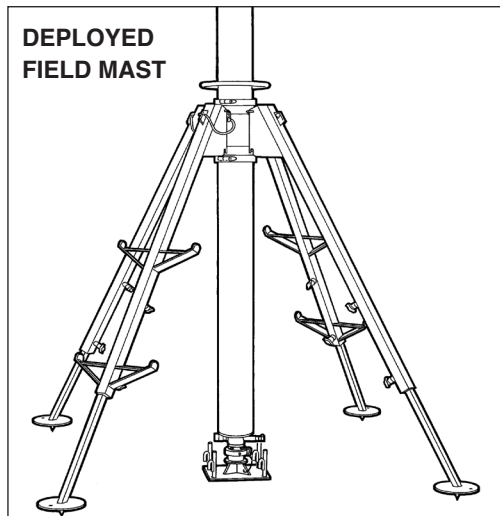
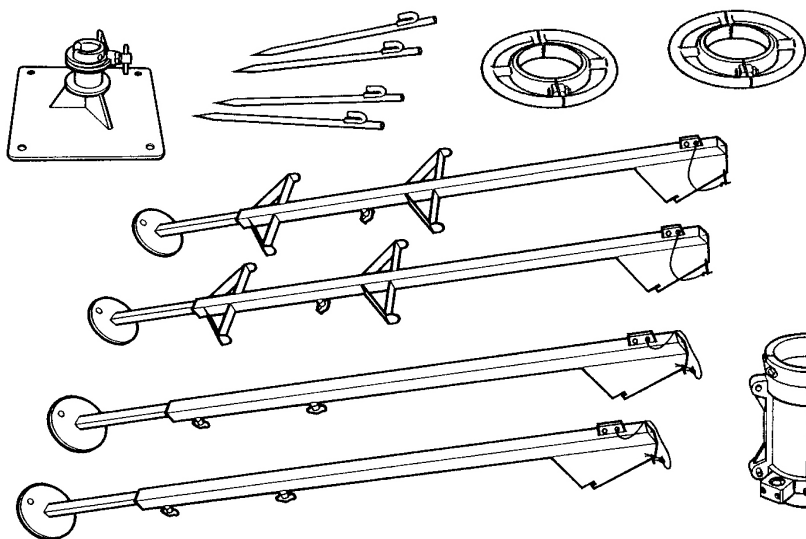
WT FIELD LEG ASSEMBLY Cat. No. 13968

The assembly consists of four adjustable legs which connect to an alloy collar. Wheel handles, spikes and mast base are included. Dimensions of the stepped leg in the closed position: 156 cm x 33.5 cm x 18 cm. Weight: 10.70 kg.

Dimensions of the plain leg in the closed position: 156 cm x 15 cm x 18 cm. Weight: 9.20 kg.

Total weight of the WT Field Leg Assembly: 55.55 kg.

An alternative Field Leg Assembly (Cat. No. 28239) is available for shorter masts (WT14, 21, 50 and 60).



CLARK MASTS SYSTEMS LTD, 18-20 Ringwood Road, Binstead, Isle of Wight, PO33 3PA, UK

Tel: +44 (0) 1983 563691/567090 Fax: +44 (0) 1983 566643/811157

E-mail: sales@clarkmasts.com Website: www.clarkmasts.com