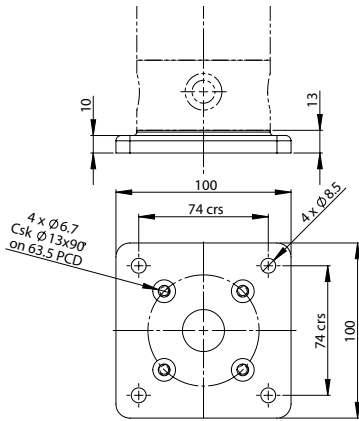


## MAST MOUNTING ACCESSORIES

The mast mounting possibilities for the ST Series includes internal or external vehicle mounting, wall or shelter mounting and also field mounting.

Illustrated below are the basic accessories for mounting ST Masts in any of the above roles.

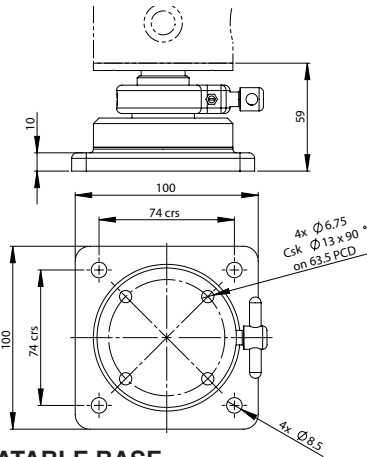


### FIXED BASE

Cat. No. 14584

For use where the mast is not required to be rotatable or where omni-directional antennas are to be used.

Weight: 0.27 kg.

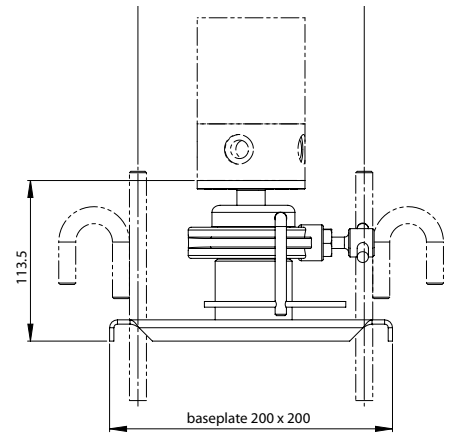


### ROTATABLE BASE

Cat. No. 14585

For use where full mast rotation is required whether internally or externally vehicle mounted, wall or shelter mounted. Fitted with a clamp brake.

Weight: 0.84 kg.

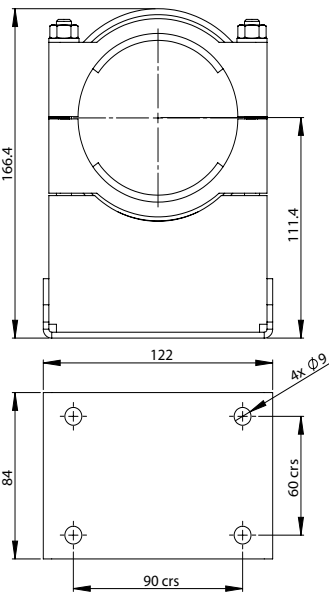


### FIELD BASE

Cat. No. 30963

This base plate, which is spiked to the ground, allows the mast to be fitted from the horizontal position and then swung vertical. The mast may be rotated and clamped in any position.

Weight: 2.30 kg.

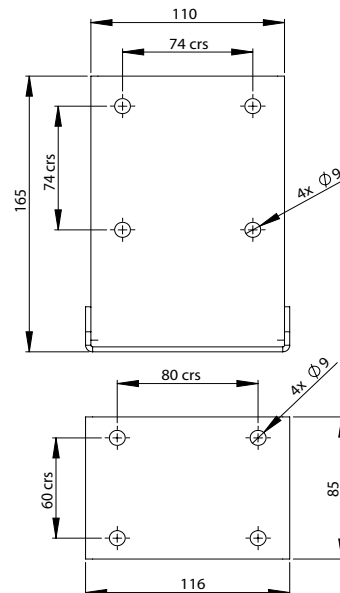
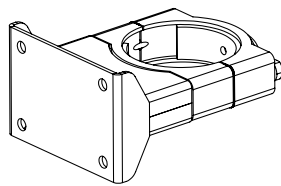


### UPPER MOUNTING BRACKET

Cat. No. 14586

When a mast is externally vehicle or shelter mounted this bracket supports the mast at its upper end. The bracket has a PTFE lining. The lower end of the mast should be fitted with a fixed or rotatable base.

Weight: 1.33 kg.

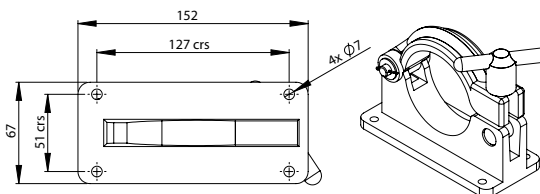
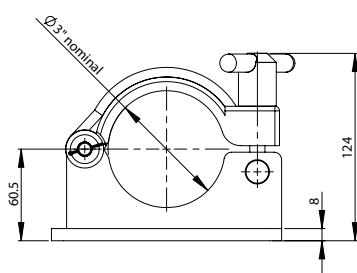
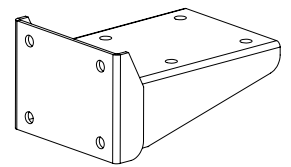


### LOWER MOUNTING BRACKET

Cat. No. 16686

Designed to receive either the fixed or rotatable base depending on the mast application.

Weight: 1.15 kg.

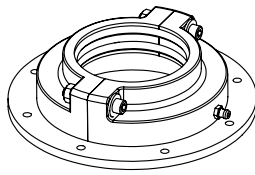
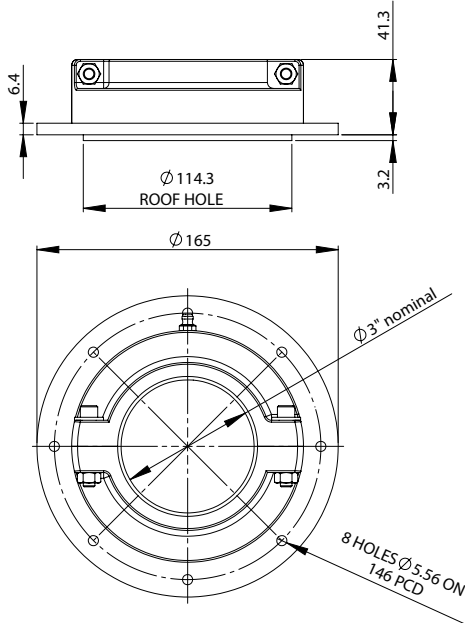


### 3" SADDLE CLAMP

Cat. No. 2433

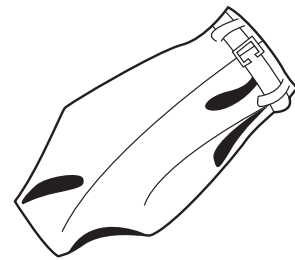
Normally used in pairs, the saddle clamp assembly fits the base section of the mast, supplying a mounting for installations where frequent mast removal is required. Two fixing holes of 7 mm diameter are provided. Made from light alloy with steel fittings.

Weight: 0.75 kg.



**3" ROOF BEARING**

Cat. No. 1976  
 Provides a rotatable, weatherproof bearing where the mast passes through the vehicle roof skin. Used to support internally mounted masts whether on fixed or rotatable bases.  
 Weight: 0.67 kg.

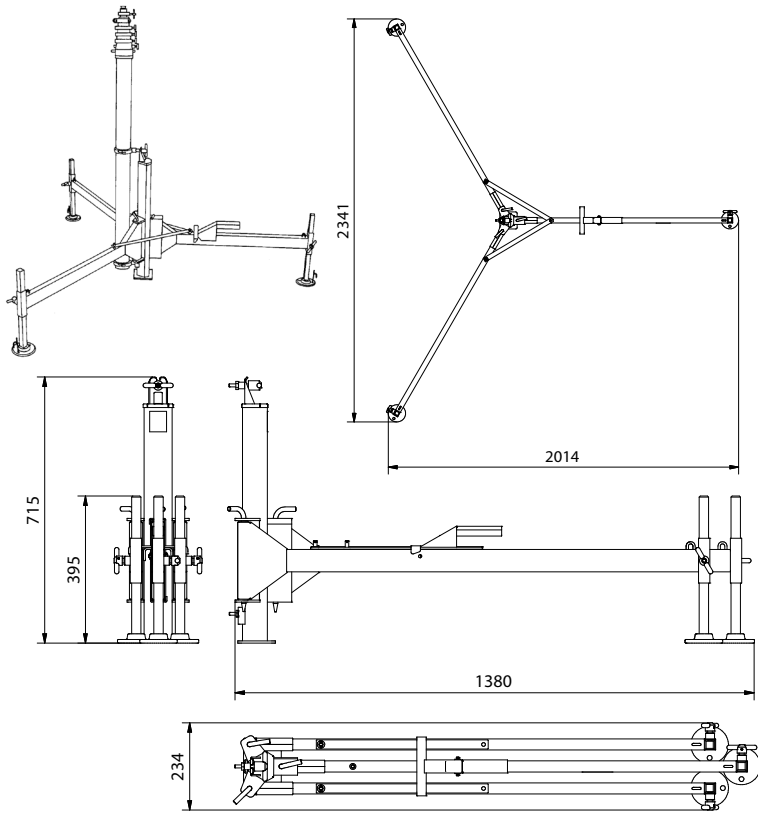


**CANVAS COVER**

Cat. No. 6411 (Plain Collar Masts)  
 Cat. No. 5151 (Combined Collar Masts)  
 Provides protection to the mast when retracted and not in use. Made from waterproof, rot-proof material with canvas securing strap.  
 Colour: Green or black.  
 Cat. No. 6411 Weight: 0.27 kg.  
 Cat. No. 5151 Weight: 0.28 kg.

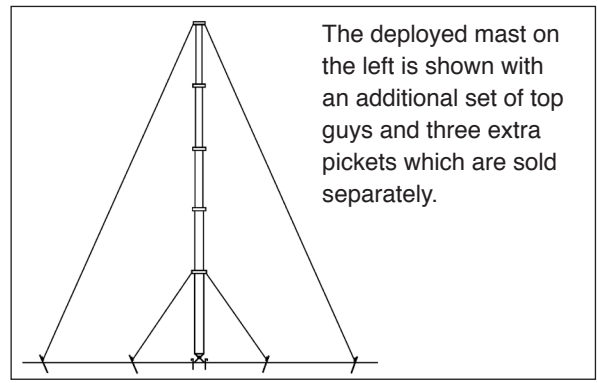
**MK IV TRIPOD Cat. No. 9427**

The MK IV Tripod is a portable mast base designed to fold into a compact unit complete with carrying handle. When extended the base diameter is 2.6 m. Each leg is adjustable for levelling. Drilled feet are provided on each leg to enable the base to be spiked to the ground if required. Made from welded steel. A Tripod Adaptor (Cat. No. 40157) is required to attach the mast to the tripod.  
 Weight: 27.00 kg.

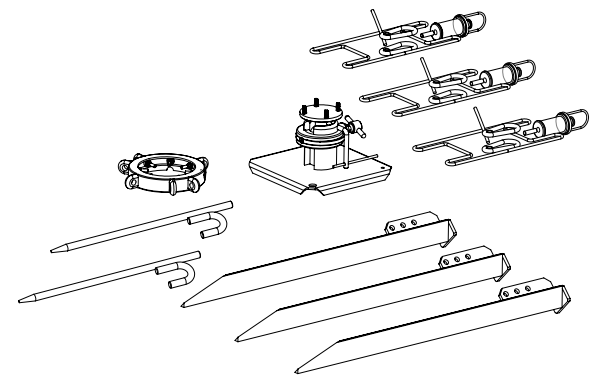


**ST FIELD SET Cat. No. 40156**

The assembly consists of a field base, three lower guys, two spikes, three pickets and a guy collar.  
 Total weight of the ST Field Set: 12.55 kg.



The deployed mast on the left is shown with an additional set of top guys and three extra pickets which are sold separately.



**MAST EXTENSION WARNING SWITCH**

Cat. No. 19131  
 An internally fitted reed switch which operates (open or closed) when the mast is completely retracted.  
 Factory fitted.



**CLARK MASTS SYSTEMS LTD**, 18-20 Ringwood Road, Binstead, Isle of Wight, PO33 3PA, UK

Tel: +44 (0) 1983 563691/567090 Fax: +44 (0) 1983 566643/811157

E-mail: sales@clarkmasts.com Website: www.clarkmasts.com