

# CLARK MASTS™

# QT Series

## *The lightweight mast with 101 uses*

*These telescopic masts are in use world-wide in their thousands. They are in continuous production since 1959 by Clark Masts.*



The popularity of QT masts lies in the concept. Aluminium construction for lightness and air pressure operated for simplicity.

The attached handpump provides the air for extension and the air release screw exhausts for retraction. For permanent extension, each section must be locked extended. In windy conditions, the mast has to be guyed using the guy collar.



**NEW**  
**Mk VI TRIPOD**

**CLARK MASTS - Pioneer in fast erecting mast systems**



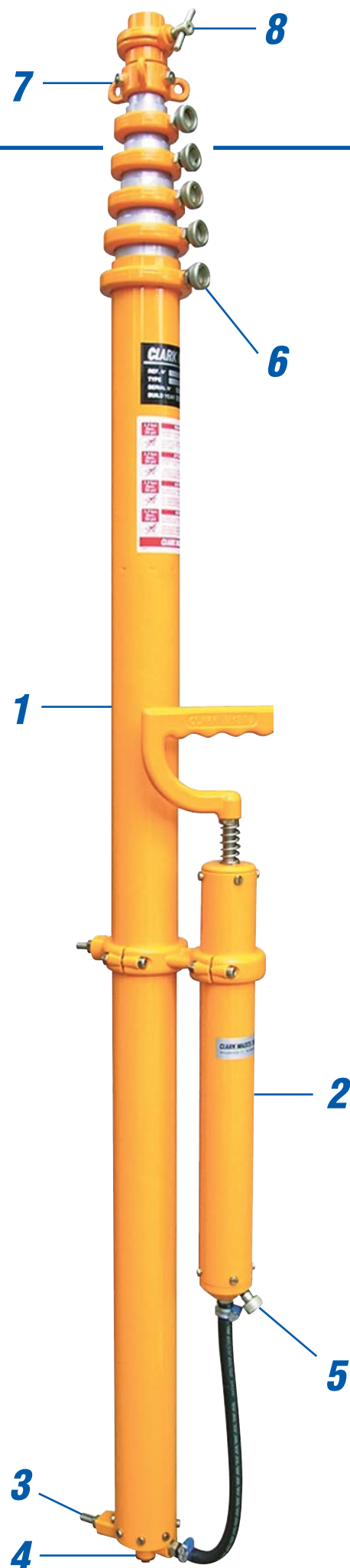
# Technical Details

*Silent, smooth and easy operation*



**The features that have made it such an attractive and useful piece of equipment are :**

1. Aluminium alloy sections
2. Handpump
3. Mounting studs M8
4. Water-drain plug
5. Air-release screw
6. Section-clamping screws
7. Guy collar
8. Quick-clamp for headload



# Standard QT Mast Range

## Non-Rotatable QT Mast Range

### 2" / 50,8 mm BASE TUBE

Mast Model	Cat. No.	Retracted Height	Extended Height	Standard Finish	Max. Headload
<b>4 section masts</b>					
QTL4-4/HP	37346	1,35 m	4,00 m	yellow paint	4,5 kg
CQTL4-4/HP	37347	1,35 m	4,00 m	natural anodised	4,5 kg
QTL5-4/HP	37348	1,65 m	5,00 m	yellow paint	4,5 kg
CQTL5-4/HP	37349	1,65 m	5,00 m	natural anodised	4,5 kg
QTL6-4/HP	37350	1,90 m	6,00 m	yellow paint	4,5 kg
CQTL6-4/HP	37351	1,90 m	6,00 m	natural anodised	4,5 kg

### 2 1/2" / 63,5 mm BASE TUBE

Mast Model	Cat. No.	Retracted Height	Extended Height	Standard Finish	Max. Headload
<b>4 section masts</b>					
QT6-4/HP	9459	1,90 m	6,10 m	yellow paint	10,0 kg
CQT6-4/HP	34401	1,90 m	6,10 m	natural anodised	10,0 kg
<b>5 section masts</b>					
QT5-5/HP	36355	1,40 m	5,00 m	yellow paint	6,0 kg
CQT5-5/HP	36358	1,40 m	5,00 m	natural anodised	6,0 kg
<b>6 section masts</b>					
QT4-6/HP	8285	1,10 m	4,25 m	yellow paint	4,5 kg
CQT4-6/HP	25929	1,10 m	4,25 m	natural anodised	4,5 kg
QT6-6/HP	8286	1,50 m	6,10 m	yellow paint	4,5 kg
CQT6-6/HP	25933	1,50 m	6,10 m	natural anodised	4,5 kg
QT9-6/HP	8287	1,95 m	9,00 m	yellow paint	4,5 kg
CQT9-6/HP	25935	1,95 m	9,00 m	natural anodised	4,5 kg
QT10-6/HP	25937	2,10 m	10,00 m	yellow paint	4,5 kg
CQT10-6/HP	25938	2,10 m	10,00 m	natural anodised	4,5 kg

### 3" / 76,2 mm BASE TUBE

Mast Model	Cat. No.	Retracted Height	Extended Height	Standard Finish	Max. Headload
<b>4 section masts</b>					
SQT3-4/HP	34422	1,05 m	3,00 m	yellow paint	22,5 kg
CSQT3-4/HP	34423	1,05 m	3,00 m	natural anodised	22,5 kg
SQT4-4/HP	34420	1,35 m	4,00 m	yellow paint	22,5 kg
CSQT4-4/HP	34421	1,35 m	4,00 m	natural anodised	22,5 kg
SQT5-4/HP	36290	1,65 m	5,00 m	yellow paint	22,5 kg
CSQT5-4/HP	36291	1,65 m	5,00 m	natural anodised	22,5 kg
SQT6-4/HP	34402	1,90 m	6,00 m	yellow paint	20,0 kg
CSQT6-4/HP	10865	1,90 m	6,00 m	natural anodised	20,0 kg
<b>5 section masts</b>					
SQT9-5/HP	34403	2,25 m	9,00 m	yellow paint	18,0 kg
CSQT9-5/HP	25158	2,25 m	9,00 m	natural anodised	18,0 kg
<b>6 section masts</b>					
SQT4-6/HP	33737	1,10 m	4,30 m	yellow paint	12,5 kg
CSQT4-6/HP	33505	1,10 m	4,30 m	natural anodised	12,5 kg
SQT8-6/HP	33500	1,80 m	7,95 m	yellow paint	10,0 kg
CSQT8-6/HP	33501	1,80 m	7,95 m	natural anodised	10,0 kg
SQT9-6/HP	9451	1,95 m	8,80 m	yellow paint	10,0 kg
CSQT9-6/HP	33506	1,95 m	8,80 m	natural anodised	10,0 kg
SQT10-6/HP	25525	2,20 m	10,15 m	yellow paint	10,0 kg
CSQT10-6/HP	17923	2,20 m	10,15 m	natural anodised	10,0 kg
SQT12-6/HP	25943	2,70 m	12,20 m	yellow paint	10,0 kg
CSQT12-6/HP	25944	2,70 m	12,20 m	natural anodised	10,0 kg

# Standard QT Mast Range

## Non-Rotatable QT Mast Range

Mast Model	Cat. No.	Retracted Height	Extended Height	Standard Finish	Max. Headload
<b>7 section masts</b>					
SQT4-7/HP	9504	1,00 m	4,00 m	yellow paint	6,0 kg
CSQT4-7/HP	25931	1,00 m	4,00 m	natural anodised	6,0 kg
SQT15-7/HP	9479	2,80 m	15,00 m	yellow paint	2,5 kg
CSQT15-7/HP	25947	2,80 m	15,00 m	natural anodised	2,5 kg
<b>8 section masts</b>					
SQT6-8/HP	9486	1,20 m	5,90 m	yellow paint	2,5 kg
CSQT6-8/HP	36359	1,20 m	5,90 m	natural anodised	2,5 kg
SQT12-8/HP	8388	2,00 m	11,55 m	yellow paint	2,5 kg
CSQT12-8/HP	25941	2,00 m	11,55 m	natural anodised	2,5 kg

### 3 1/2" / 88,9mm BASE TUBE

Mast Model	Cat. No.	Retracted Height	Extended Height	Standard Finish	Max. Headload
<b>5 section masts</b>					
QTX9-5/HP	36324	2,25 m	9,00 m	yellow paint	22,5 kg
CQTX9-5/HP	36325	2,25 m	9,00 m	natural anodised	22,5 kg
<b>6 section masts</b>					
QTX4-6/HP	34160	1,05 m	4,00 m	yellow paint	20,0 kg
CQTX4-6/HP	34161	1,05 m	4,00 m	natural anodised	20,0 kg
QTX6-6/HP	34150	1,50 m	6,10 m	yellow paint	20,0 kg
CQTX6-6/HP	34151	1,50 m	6,10 m	natural anodised	20,0 kg
QTX8-6/HP	34152	1,80 m	7,95 m	yellow paint	20,0 kg
CQTX8-6/HP	34153	1,80 m	7,95 m	natural anodised	20,0 kg
QTX9-6/HP	34154	1,95 m	8,80 m	yellow paint	18,0 kg
CQTX9-6/HP	34155	1,95 m	8,80 m	natural anodised	18,0 kg
QTX10-6/HP	34156	2,20 m	10,15 m	yellow paint	18,0 kg
CQTX10-6/HP	34157	2,20 m	10,15 m	natural anodised	18,0 kg
QTX12-6/HP	34158	2,65 m	12,20 m	yellow paint	15,0 kg
CQTX12-6/HP	34159	2,65 m	12,20 m	natural anodised	15,0 kg
<b>7 section masts</b>					
QTX7-7/HP	25387	1,50 m	7,00 m	yellow paint	18,0 kg
CQTX7-7/HP	25388	1,50 m	7,00 m	natural anodised	18,0 kg
QTX13-7/HP	25389	2,50 m	12,90 m	yellow paint	10,0 kg
CQTX13-7/HP	25390	2,50 m	12,90 m	natural anodised	10,0 kg
QTX15-7/HP	25519	2,80 m	15,00 m	yellow paint	10,0 kg
CQTX15-7/HP	25949	2,80 m	15,00 m	natural anodised	10,0 kg
<b>8 section masts</b>					
QTX6-8/HP	34177	1,20 m	6,05 m	yellow paint	10,0 kg
CQTX6-8/HP	34178	1,20 m	6,05 m	natural anodised	10,0 kg
QTX12-8/HP	34175	2,00 m	11,70 m	yellow paint	10,0 kg
CQTX12-8/HP	34176	2,00 m	11,70 m	natural anodised	10,0 kg
QTX15-8/HP	37210	2,60 m	15,00 m	yellow paint	6,0 kg
CQTX15-8/HP	37211	2,60 m	15,00 m	natural anodised	6,0 kg
<b>9 section masts</b>					
QTX15-9/HP	37212	2,40 m	15,00 m	yellow paint	2,5 kg
CQTX15-9/HP	37213	2,40 m	15,00 m	natural anodised	2,5 kg



# Standard QT Mast Range

## Rotatable QT Mast Range

### 3 1/2" / 88,9 mm BASE TUBE

Mast Model	Cat. No.	Retracted Height	Extended Height	Standard Finish	Max. Headload
<b>5 section masts</b>					
QTX-R6-5/HP	36050	1,65 m	6,00 m	yellow paint	22,5 kg
CQTX-R6-5/HP	36051	1,65 m	6,00 m	natural anodised	22,5 kg
<b>6 section masts</b>					
QTX-R6-6/HP	34062	1,45 m	6,00 m	yellow paint	18,0 kg
CQTX-R6-6/HP	34442	1,45 m	6,00 m	natural anodised	18,0 kg
QTX-R8-6/HP	34064	1,85 m	8,00 m	yellow paint	18,0 kg
CQTX-R8-6/HP	34444	1,85 m	8,00 m	natural anodised	18,0 kg
QTX-R10-6/HP	34066	2,20 m	10,00 m	yellow paint	18,0 kg
CQTX-R10-6/HP	34446	2,20 m	10,00 m	natural anodised	18,0 kg
<b>8 section masts</b>					
QTX-R12-8/HP	34091	2,05 m	11,40 m	yellow paint	10,0 kg
CQTX-R12-8/HP	34451	2,05 m	11,40 m	natural anodised	10,0 kg





# NEW!

## QT Mk VI Tripod

### 1. Ground Tripod

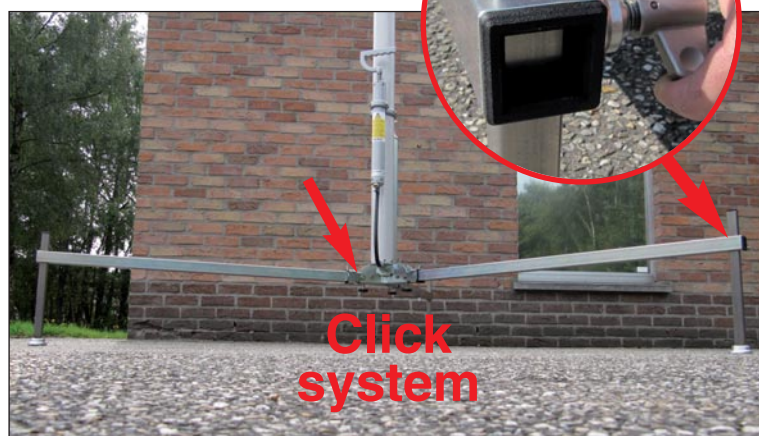
New light-weight Mk VI tripod, completely in stainless steel with super fast "Click" leg locking system.

Models	Cat. No.	Recommended for max. mast height*	Weight
Tripod Mk VI 750MM	36562	4m	11,4 kg
Tripod Mk VI 1000MM	36563	6m	12,7 kg
Tripod Mk VI 1250MM	36564	8m	14,0 kg
Tripod Mk VI 1500MM	36565	10m	15,4 kg
Tripod Mk VI 1750MM	36566	12m	16,7 kg
Tripod Mk VI 2000MM	36567	15m	18,0 kg

\* Max. safe wind speed unguyed : 50 km/h  
Max. headload side area : 0,15 m<sup>2</sup>

#### Example 1 :

tripod legs manually adjustable above ground level, recommended position for Mk VI Tripod with leg lengths 750, 1000 and 1250 mm.



#### Example 2 :

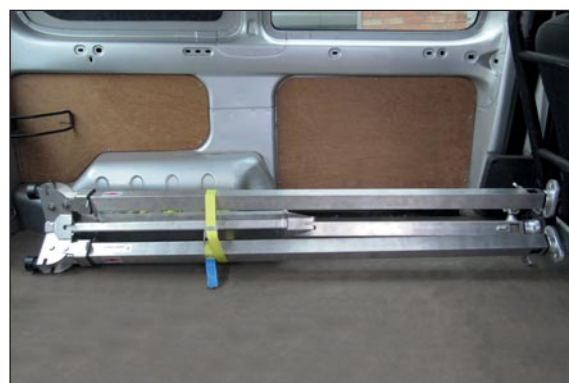
tripod legs manually adjustable at ground level, recommended position for Mk VI Tripod with leg lengths 1500, 1750 and 2000 mm.



This very stable stand folds vertically and is easy to carry and store. All Mk VI Tripods can either be stored vertically or horizontally. Suitable for rotatable and non-rotatable QT masts up to 15 metres.



Vertical storage position



Horizontal storage position

# NEW!

## QT Mk VI Tripod

New light-weight Mk VI tripod, completely in stainless steel with super fast "Click" leg locking system.

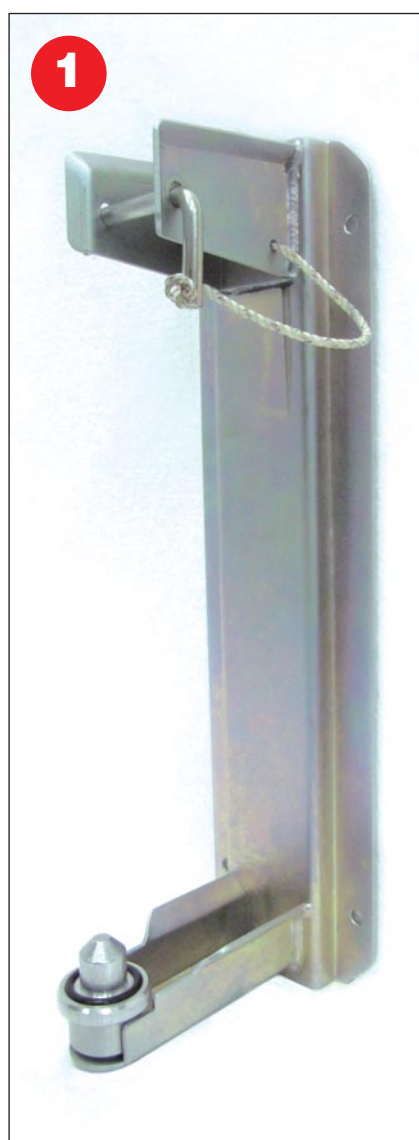
### 2. Ground/Vehicle/Shelter Tripod with Tripod Mounting Bracket

Models	Cat. No.	Recommended for max. mast height *	Weight
Tripod Mk VI 750MM LB	36585	4m	11,4 kg
Tripod Mk VI 1000MM LB	36586	6m	12,7 kg
Tripod Mk VI 1250MM LB	36587	8m	14,0 kg
Tripod Mk VI 1500MM LB	36588	10m	15,4 kg
Tripod Mk VI 1750MM LB	36589	12m	16,7 kg
Tripod Mk VI 2000MM LB	36590	15m	18,0 kg

The Tripod Mounting Bracket can be fixed onto a wall, vehicle or shelter. A Ground/Vehicle/Shelter Tripod is foreseen with a Locking Block which enables the user to attach this tripod to the Tripod Mounting Bracket for compact vertical storage, **with or without the mast**. Suitable for rotatable and non-rotatable QT masts up to 15 metres.

\* Max. safe wind speed unguyed : 50 km/h  
Max. headload side area : 0,15 m<sup>2</sup>

#### Use of the Tripod Mounting Bracket



Tripod Mounting Bracket  
Cat. No. 36592



Tripod Mounting Bracket  
with **tripod stand mounted**

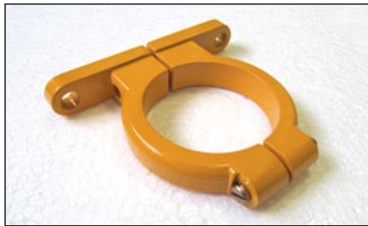


Tripod Mounting Bracket  
with **tripod stand and mast mounted**



## Mast Wall Mounting Bracket

For permanent fixture of the mast, used in pairs.



Mast Wall Mounting Bracket Models	Cat. No.
2" (50,8 mm) Model	37280
2 1/2" (63,5 mm) Model	1984
3" (76,2 mm) Model	9920
3 1/2" (88,9 mm) Model	25962

## Mast Mounting Ring

For permanent fixture of the mast, used in combination with the mast mounting studs.



Mast Mounting Ring Models	Cat. No.
2" (50,8 mm) Model	37281
2 1/2" (63,5 mm) Model	2148
3" (76,2 mm) Model	10354
3 1/2" (88,9 mm) Model	33713

## QT Canvas Cover

Light-grey canvas cover for mast head protection against dust, rain and snow.



QT Canvas Cover Models	Cat. No.
2" (50,8 mm) Model	37283/SG
2 1/2" (63,5 mm) Model	2936/SG
3" (76,2 mm) + 3 1/2" (88,9 mm) Model	36388/SG

## Base Mounting Bracket

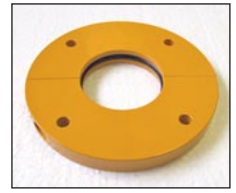
Used in combination with a roof bearing.



Base Mounting Bracket Model	Cat. No.
Model	1203

## Roof Bearing

All roof bearings are foreseen with rubber seals to avoid water infiltration.



Roof Bearing Models	Cat. No.
2" (50,8 mm) Model	37282
2 1/2" (63,5 mm) Model	10989
3" (76,2 mm) Model	27952
3 1/2" (88,9 mm) Model	33528

## Saddle Clamp

For non-permanent fixture of the mast, used in pairs, making the mast instantly removable.



Saddle Clamp Models	Cat. No.
2" (50,8 mm) Model	37277
2 1/2" (63,5 mm) Model	25960
3" (76,2 mm) Model	2433
3 1/2" (88,9 mm) Model	25961

## Guying Kit

Consisting of :

- 3 upper/middle guys
- 3 pickets
- 1 hammer
- 1 equipment bag



Guying Kit Models	Cat. No.
Top Guy Kit Model (for masts up to 10m)	29323
Top & Middle Guy Kit Model (for masts above 10m)	29324

# CLARK MASTS™

## CLARK MASTS SYSTEMS LTD

18/20 Ringwood Road,  
Binstead, Isle of Wight, PO33 3NX, England  
Tel : +44 (0)1983 563691 - Fax : +44 (0)1983 566643  
E-mail : sales@clarkmasts.com  
Website : www.clarkmasts.com