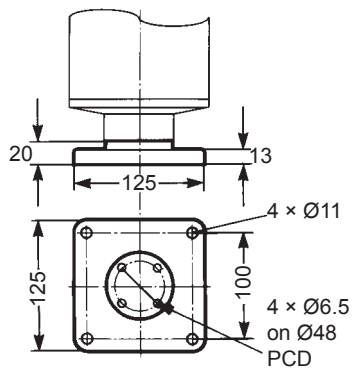


## MAST MOUNTING ACCESSORIES

The mast mounting possibilities for the MT Series includes internal or external vehicle mounting, wall or shelter mounting and also field mounting.

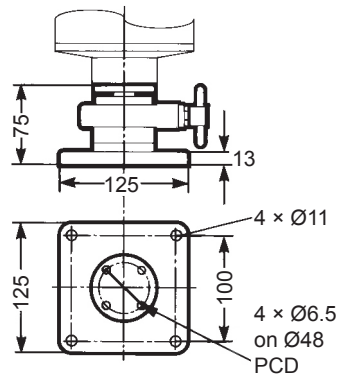
Illustrated below are the basic accessories for mounting MT Masts in any of the above roles.



### FIXED BASE Cat. No. 40223

For use where the mast is not required to be rotatable or where omni-directional antennas are to be used.

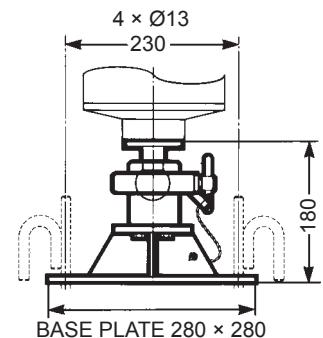
Weight: 0.41 kg.



### ROTATABLE BASE Cat. No. 40224

For use where full mast rotation is required whether internally or externally vehicle mounted, wall or shelter mounted. Fitted with clamp brake.

Weight: 1.36 kg.

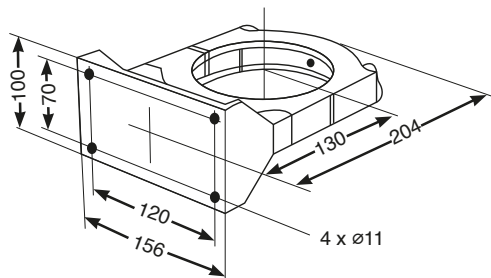


### FIELD BASE Cat. No. 11355

This base plate, which is spiked to the ground, allows the mast to be fitted from the horizontal position and then swung vertical. The mast may be rotated and clamped in any position.

Weight: 6.40 kg.

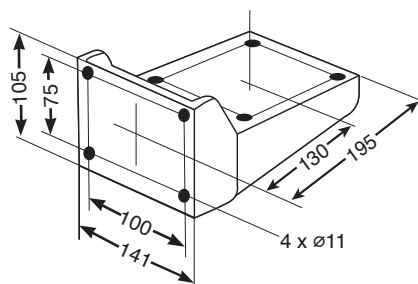
## FOR MOUNTING MAST OUTSIDE VEHICLE



### UPPER MOUNTING BRACKET Cat. No. 40221

When a mast is externally vehicle or shelter mounted this bracket supports the mast at its upper end. The bracket has a PTFE lining. The lower end of the mast should be fitted with a fixed or rotatable base.

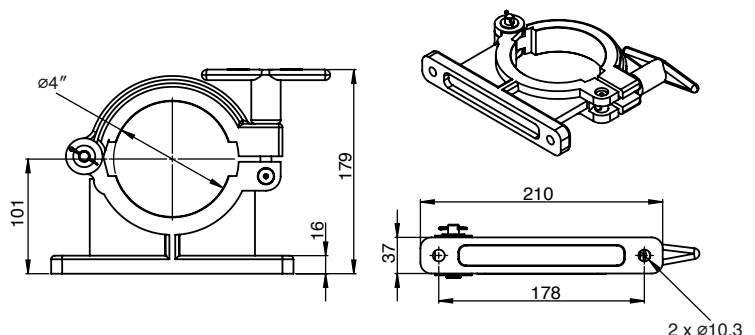
Weight: 2.36 kg.



### LOWER MOUNTING BRACKET Cat. No. 40220

Designed to receive either the fixed or rotatable base depending on the mast application.

Weight: 1.59 kg.



### 4" SADDLE CLAMP

Cat. No. 40222

Normally used in pairs, the saddle clamp assembly fits the base section of the mast, supplying a mounting for installations where frequent mast removal is required. Two fixing holes of 10.3 mm diameter are provided. Made from light alloy with steel fittings.

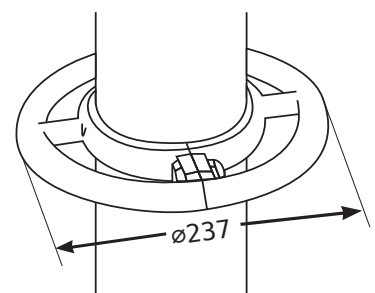
Weight: 1.00 kg.

### WHEEL HANDLE

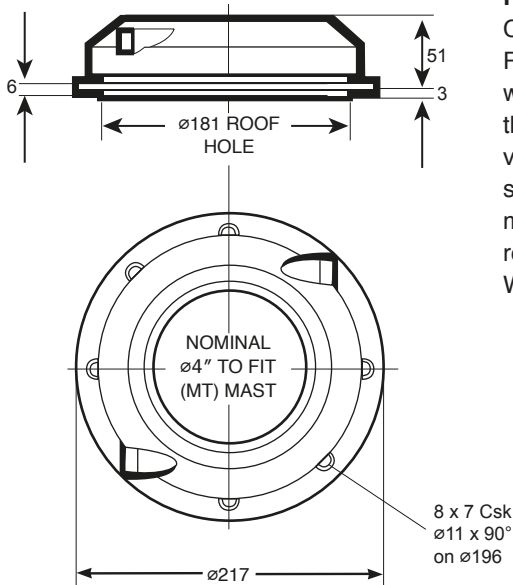
Cat. No. 40225

Solid cast aluminium, split for easy attachment to MT Masts. Outside diameter 237 mm.

Weight: 1.01 kg.



## FOR MOUNTING MAST INSIDE VEHICLE

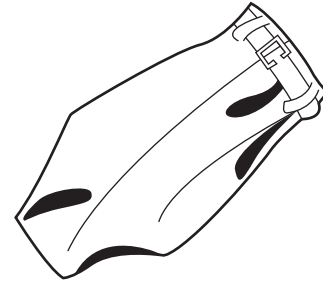


### ROOF BEARING

Cat. No. 40226

Provides a rotatable, weatherproof bearing where the mast passes through the vehicle roof skin. Used to support internally mounted masts whether on fixed or rotatable bases.

Weight: 1.26 kg.



### CANVAS COVER

Cat. No. 5151

Provides protection to the mast when retracted and not in use. Made from material which is waterproof and rot-proof with canvas securing strap.

Colour: Black.

Weight: 0.28 kg.

## MAST EXTENSION WARNING SWITCH

Cat. No. 40228

An internally fitted reed switch which operates (open or closed) when the mast is completely retracted. Factory fitted.

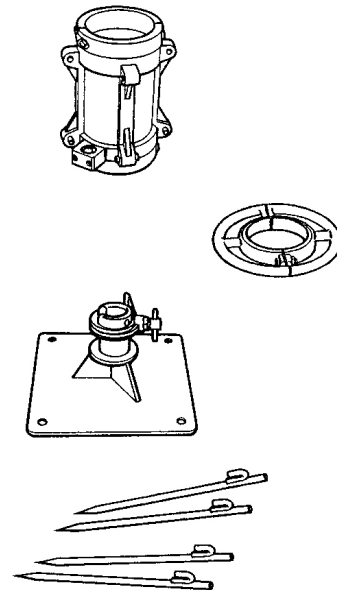
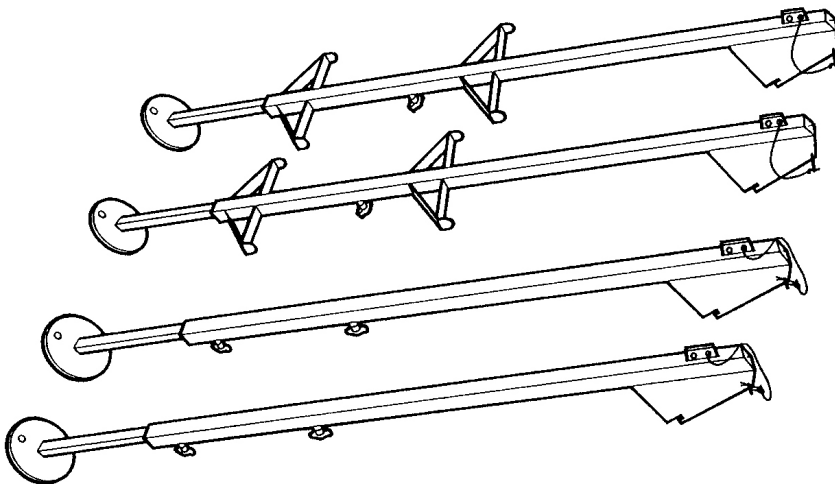
## FOR MOUNTING MAST IN THE FIELD

**MT FIELD LEG ASSEMBLY** Cat. No. 40227

The assembly consists of four adjustable legs which connect to an alloy collar.

Wheel handle, spikes and mast base are included.

Weight: 50.91 kg.



**CLARK MASTS SYSTEMS LTD**, 18-20 Ringwood Road, Binstead, Isle of Wight, PO33 3PA, UK

Tel: +44 (0) 1983 563691/567090 Fax: +44 (0) 1983 566643/811157

E-mail: sales@clarkmasts.com Website: www.clarkmasts.com