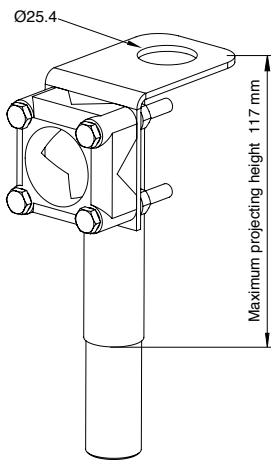


UNIVERSAL ADAPTORS

All universal adaptors are provided with double vee clamps for mounting antennas of various sizes in either the horizontal or vertical plane. Provision is also made for mounting a whip antenna having a base nut fixing.



SMALL UNIVERSAL ADAPTOR

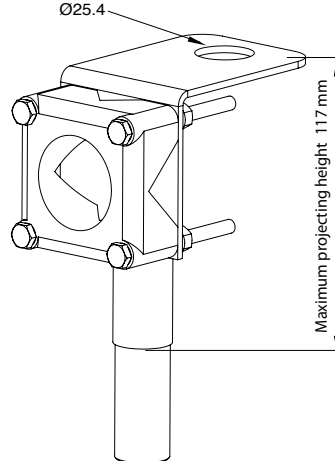
Cat. No. 1344

For masts with a 24 mm top socket.
Accepts cross beams and spigots up to 12.7 mm diameter in one plane and 25.4 mm diameter in the other.

Weight: 0.46 kg.

Materials: Light alloy and steel.

Colours: Yellow, white, black or NATO green paint.



LARGE UNIVERSAL ADAPTOR

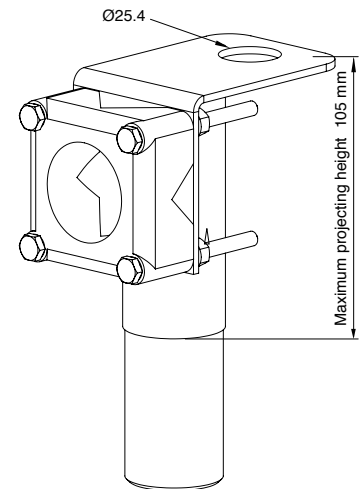
Cat. No. 8999

For masts with a 24 mm top socket.
Accepts cross beams and spigots up to 25.4 mm diameter in one plane and 38.1 mm diameter in the other.

Weight: 0.75 kg.

Materials: Light alloy and steel.

Colours: Yellow, white, black or NATO green paint.



LARGE UNIVERSAL ADAPTOR

Cat. No. 1584

For masts with a 40 mm top socket.
Accepts cross beams and spigots up to 25.4 mm diameter in one plane and 38.1 mm diameter in the other.

Weight: 0.93 kg.

Materials: Light alloy and steel.

Colours: Yellow, white, black or NATO green paint.

HEIGHT EXTENDERS

These attachments add additional height to any mast with a 24 mm top socket. They are fitted with a guy collar and a 24 mm 'quick' clamp socket. Extra guys should be used when using a height extender.

Shown below right is the 1 metre height extender.

HEIGHT EXTENDER (1 METRE)

Cat. No. 6974

Maximum projecting height: 1 metre.

Outside diameter: 31.75 mm.

Weight: 0.70 kg.

Materials: Aluminium alloy and steel.

Colours: Yellow, white, black or NATO green paint.

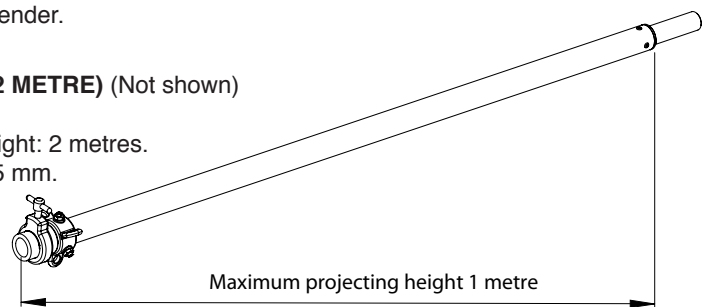
HEIGHT EXTENDER (2 METRE) (Not shown)

Cat. No. 29786

Maximum projecting height: 2 metres.

Outside diameter: 31.75 mm.

Weight: 1.12 kg.



END FED ANTENNA ADAPTER

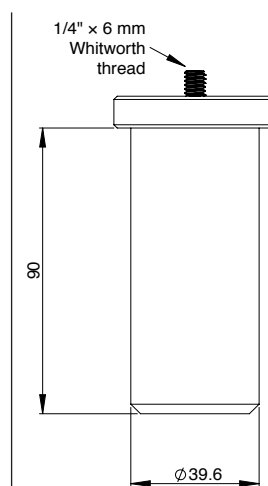
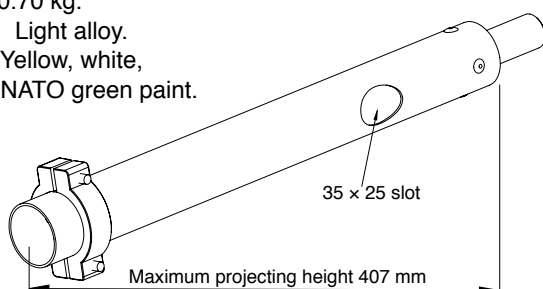
Cat. No. 1374

Suitable for any mast with a 24 mm top socket, this adaptor is designed to hold end-fed dipole antennas with an outside diameter of up to 38.1 mm. A side hole is provided to pass the feeder cable through.

Weight: 0.70 kg.

Material: Light alloy.

Colour: Yellow, white, black or NATO green paint.



CAMERA MOUNTING ADAPTER

Available in two sizes for masts with top sockets of either 24 mm or 40 mm. The adapter is fitted with a 1/4" Whitworth screw for direct interface with a camera.

40 mm camera adapter
(Shown left)

Cat. No. 30939

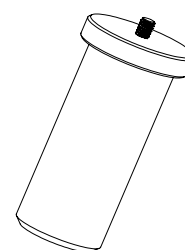
Weight: 0.03 kg.

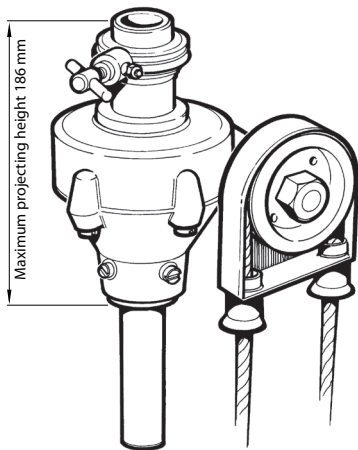
24 mm camera adapter
(Not shown)

Cat. No. 29442

Weight: 0.09 kg.

Material: Light alloy.

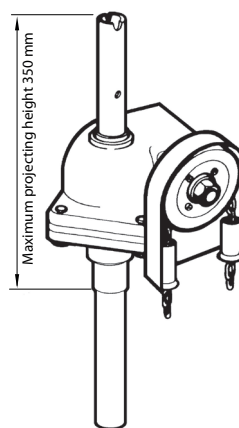




LIGHT ANTENNA ROTATOR

Cat. No. 6508
 For use with directional antennas when mast is not rotatable. User operates the rotator from ground level by rope control.
 This antenna rotator has a spigot diameter of 24 mm and an antenna clamp diameter of 24 mm.
 Suitable for antennas up to 10 kg.

Weight: 1.20 kg.
 Materials: Light alloy with steel fittings.
 Colour: White, black or NATO green paint.



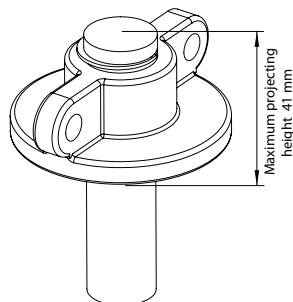
HEAVY ANTENNA ROTATOR

Cat. No. 7139
 For use with directional antennas when mast is not rotatable. User operates the rotator from ground level by rope control.
 This antenna rotator has a spigot diameter of 40 mm and an antenna spigot diameter of 40 mm.
 Suitable for antennas up to 65 kg.

Weight: 11.00 kg.
 Materials: Light alloy with steel fittings.
 Colour: White, black or NATO green paint.

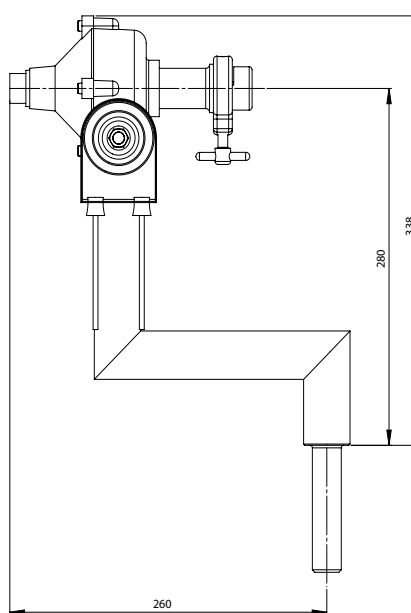
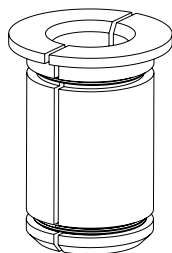
HALYARD ADAPTOR

Cat. No. 15036
 This adaptor is required when wire antennas or similar headloads are raised by means of a halyard rope assembly.
 The adaptor fits any mast with a 24 mm top socket.
 Weight: 0.50 kg.
 Material: Light alloy.
 Colour: Nato green paint.



SPLIT SLEEVE

Cat. No. 7381
 The split sleeve converts an existing diameter 40 mm top socket to a diameter 24 mm top socket.
 Weight: 0.38 kg.
 Material: Steel.
 Colour: Zinc plate.



LIGHT ANTENNA TILTER

Cat. No. 30708
 The user operates the antenna tilter from ground level by rope control.
 This tilter has a spigot diameter of 24 mm and an antenna clamp diameter of 24 mm.
 Suitable for antennas up to 10 kg.

Weight: 1.58 kg.
 Materials: Light alloy with steel fittings.
 Colour: White, black or NATO green paint.

ANTENNA MOUNTING SPIGOTS

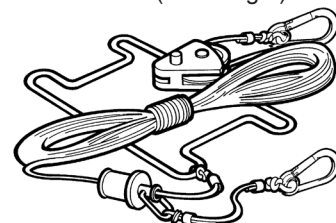
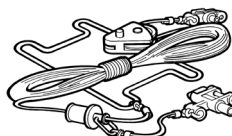
Fabricated from aluminium alloy 6082T6.



Cat. No.	To Fit Socket Ø	Description
49735	24 mm	Ø 50 × 200 mm long
49736	24 mm	Ø 50 × 400 mm long
49705	24 mm	Ø 50 × 600 mm long
49737	40 mm	Ø 50 × 200 mm long
49738	40 mm	Ø 50 × 400 mm long
49706	40 mm	Ø 50 × 600 mm long

HALYARD ROPE ASSEMBLY

The halyard rope assembly, when used in conjunction with a halyard adaptor, permits wire antennas, or similar headloads, to be connected at ground level and raised and tensioned after mast has been extended. The halyard assembly is available with either a snaphook (below left) or carbine hook attachment (below right). Average weight: 1.10 kg.
 Colour: Nato green.



Snap Hook Halyard		Carbine Hook Halyard	
Cat. No.	Mast	Cat. No.	Mast
6761	8 m	25384	8 m
6787	10 m	25385	10 m
6720	12 m	25386	12 m



CLARK MASTS SYSTEMS LTD, 18-20 Ringwood Road, Binstead, Isle of Wight, PO33 3PA, UK

Tel: +44 (0) 1983 563691/567090 Fax: +44 (0) 1983 566643/811157

E-mail: sales@clarkmasts.com Website: www.clarkmasts.com