

COMPRESSORS

Clark Masts offers a range of oil-free compressors for mast extension, these can be powered by vehicle electrical systems, from mains power or from a generator. The compressors are supplied in a rugged steel enclosure with a built-in pressure switch which cuts out at the required pressure, a pressure gauge, plug-in power connector and a remote control handset unit if required. The compressors are available in 'Normally Closed' (NC) or 'Normally Open' (NO) versions. NO versions are available on special order.



MODEL 40E

MODEL 40E AND MODEL 40 COMPRESSORS

Suitable for all mast types from ST to YT Series, available in 12v or 24v DC only. Supplied with plug-in power connector. The Model 40E is a non-remote version operated by a switch on the front panel and the Model 40 can accept a remote control handset.

REMOTE CONTROL HANDSET

For use with both Model 185 and Model 40 Compressors. They allow the compressor to be remotely located and are available in standard and deadman switching versions. The deadman version requires the switch to be manually held open for operation. The remote control is supplied with 3 metres of cable and pre-fitted multi-pole connector.

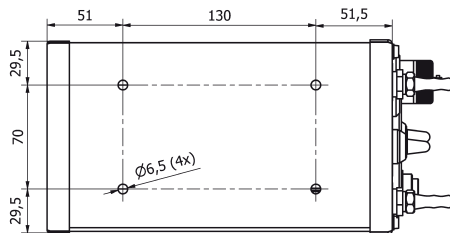


REMOTE CONTROL



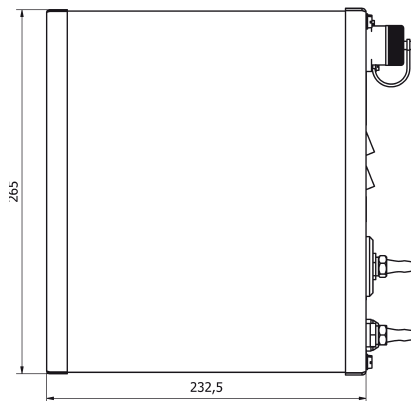
MODEL 40

MODEL 40E AND MODEL 40 INSTALLATION DIMENSIONS

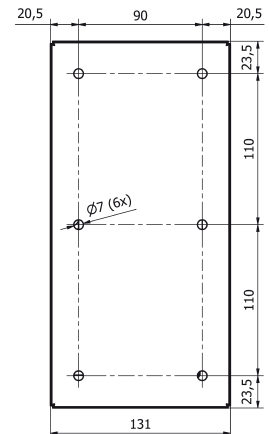


UNDERSIDE VIEW

Compressor Mounting - Remove the 4 screws from the front panel of the compressor and withdraw the compressor out of the case. Mount the case in the desired position with a minimum of 4 M6 screws. Replace the compressor in the case and secure the front panel. Leave ventilation openings unobstructed.



SIDE VIEW



BACK VIEW

MODEL 40E AND MODEL 40 RANGE AND SPECIFICATIONS

	Model 40E (12V) DC	Model 40E (24V) DC	Model 40 (12V) with NC Valve	Model 40 (24V) with NC Valve	Model 40 (12V) with Deadman	Model 40 (24V) with Deadman
Cat. No.	33740	33741	33646	33648	33647	33649
Current at 1.8 bar	11.5 amp/ 13 amp	9.5 amp/ 10 amp	13 amp	10 amp	13 amp	10 amp
Output at 1.8 bar	33 litres/min free air	33 litres/min free air	31 litres/min free air	32 litres/min free air	31 litres/min free air	32 litres/min free air
Weight	7 kg	7 kg	9 kg	9 kg	9 kg	9 kg
Min./Max. Temperature	-20°C/+50°C					
RC Handset Cat. No.	N/A	N/A	25471	25472	25238	25239
Finish	White					
Max. Operating Pressure	1.8 kg/cm ² (25 lbs/ sq in)					

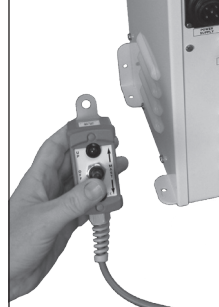


MODEL 185 COMPRESSOR

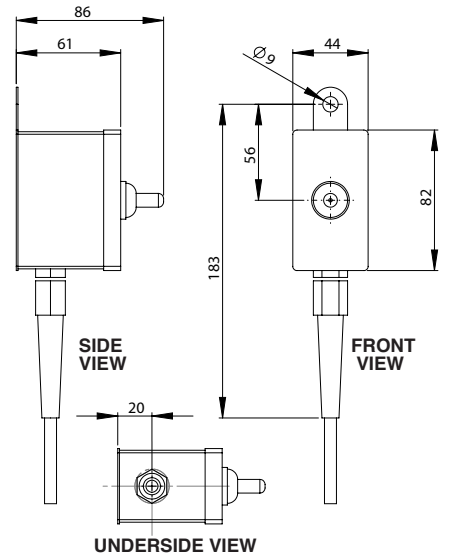
The Model 185 Compressor is suitable for larger masts from WT to XT Series. Available in 12v or 24v DC and in 110v or 230v AC. Supplied with a plug-in connector for power and for remote control handset. The Model 185 compressor can be floor or wall mounted.

REMOTE CONTROL HANDSET

For use with both the Model 185 and Model 40 Compressors. The handset can be mounted to a surface using the lug provided.

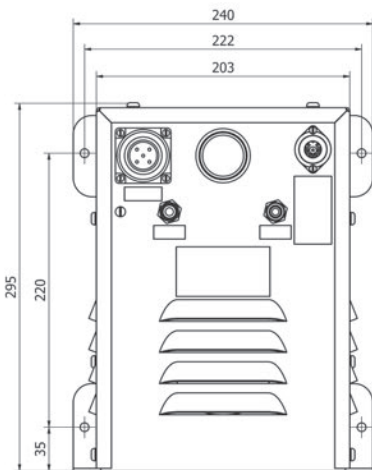


REMOTE CONTROL DIMENSIONS

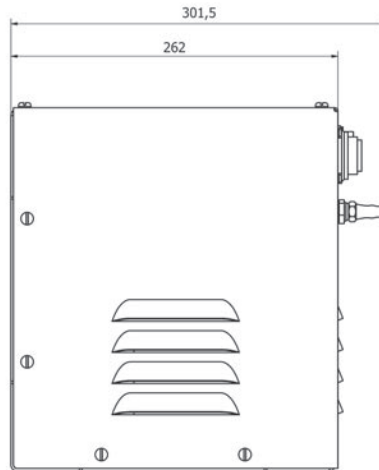


MODEL 185 INSTALLATION DIMENSIONS

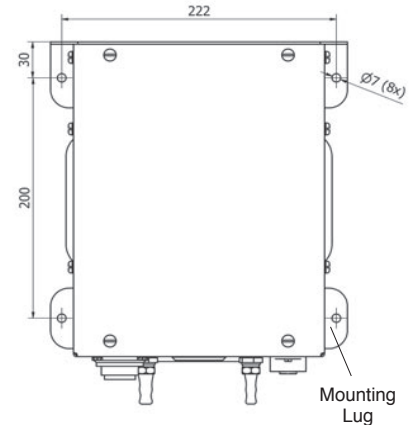
Compressor Mounting - Mark fixing points and drill holes of $\varnothing 7$ mm. Mount compressor in desired position with a minimum of 4 M6 screws. There are 8 mounting lugs.



FRONT VIEW



SIDE VIEW



TOP VIEW

MODEL 185 RANGE AND SPECIFICATIONS

	Model 185 (12V) with NC Valve	Model 185 (24V) with NC Valve	Model 185 (230V) with NC Valve	Model 185 (110V) with NC Valve
Cat. No.	33656	33657	33681	33683
Current at 1.8 bar	51 amp/57 amp	28 amp/30 amp	4.4 amp/4.6 amp	16 amp/15.4 amp
Output at 1.8 bar	173 litres/min free air	191 litres/min free air	185 litres/min free air	185 litres/min free air
Weight	13 kg	13 kg	16 kg	16 kg
Min./Max. Temperature	-20°C/+50°C			
RC Handset Cat. No.	25471	25472	25472	25472
RC Handset with Deadman Cat. No.	25238	25239	25239	25239
Finish	White			
Max. Operating Pressure	1.8 kg/cm ² (25 lbs/ sq in)			



CLARK MASTS SYSTEMS LTD, 18-20 Ringwood Road, Binstead, Isle of Wight, PO33 3PA, UK

Tel: +44 (0) 1983 563691/567090 Fax: +44 (0) 1983 566643

E-mail: sales@clarkmasts.com Website: www.clarkmasts.com